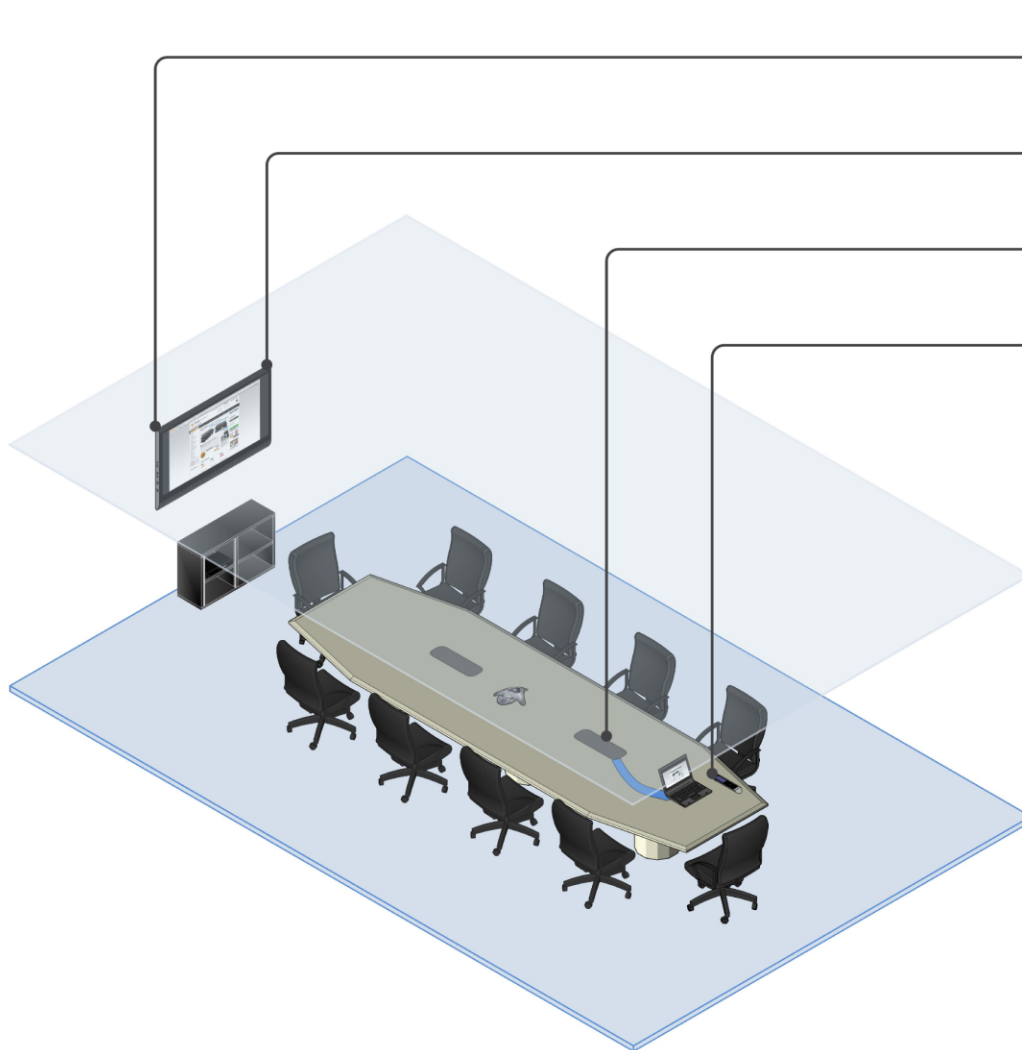


Description

This 8-12 person meeting room is a great place for teams to present and collaborate. It includes a large flat panel display with easy-to-access computer connections at the table, as well as a secondary connection for a BluRay or DVD player. A programmable touchscreen remote provides simple one-button operation of the system.



Bigger Is Better

A large flat-panel LCD display provides clear images and video to improve collaboration in the group.

Hear the Difference

Computer audio is played right through the TV for better clarity than the laptop's built-in speakers.

No Trip Wires

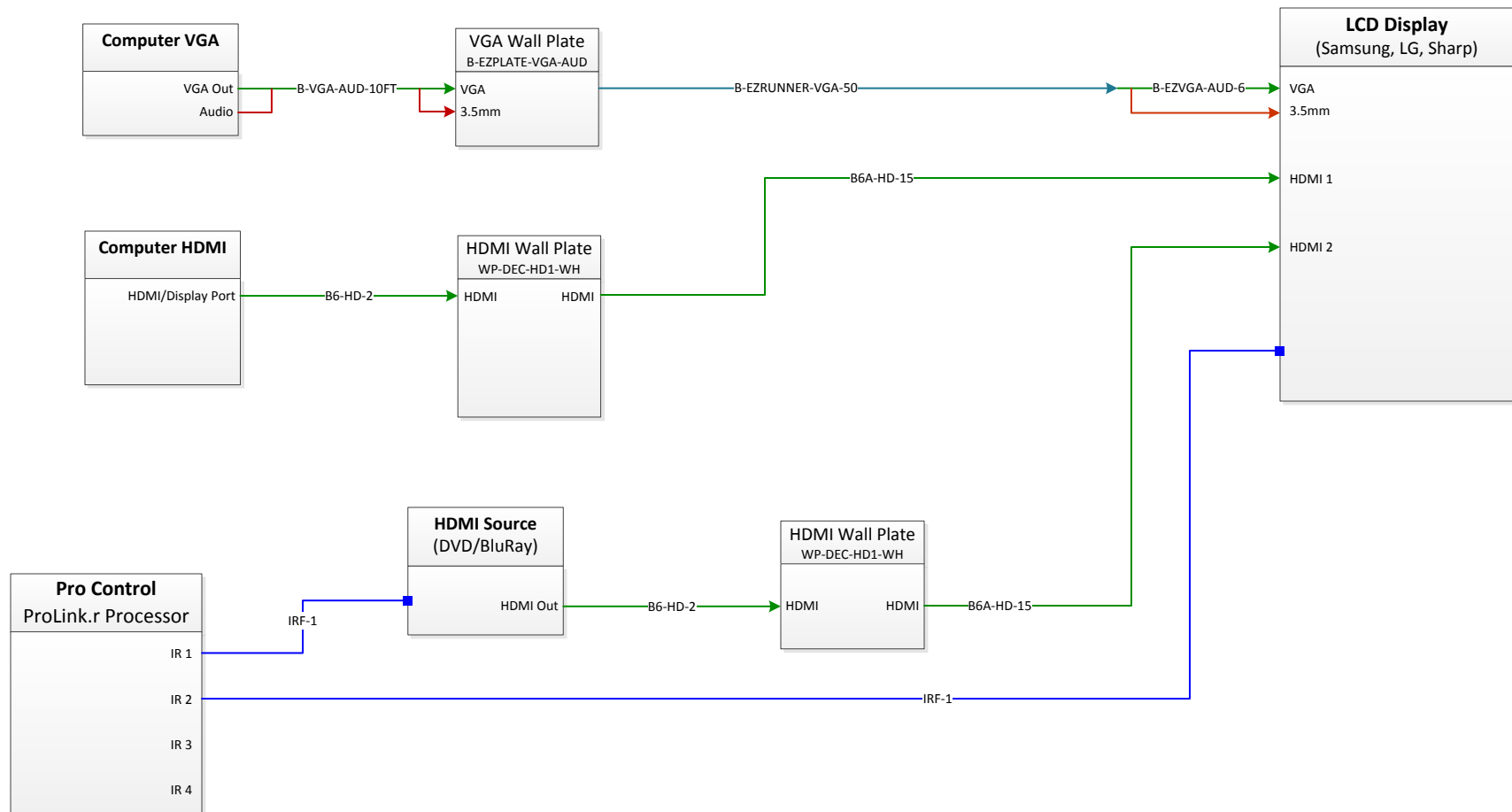
Cables and connections are through the table, not across the floor.

Easy Operation

Walk into the room and press one button on the touchscreen remote to start presenting.

Features

- Large flat panel LCD display
- Computer connections hidden inside conference table
- HDMI connection for DVD/BluRay source
- Simple operation using Pro Control touchscreen remote



Tech Notes:

1. Typical mounting height for display is 62" above floor to center of display
2. Remove couplers from supplied wall plates and mount under table using zip ties and mounts

