
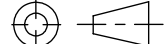
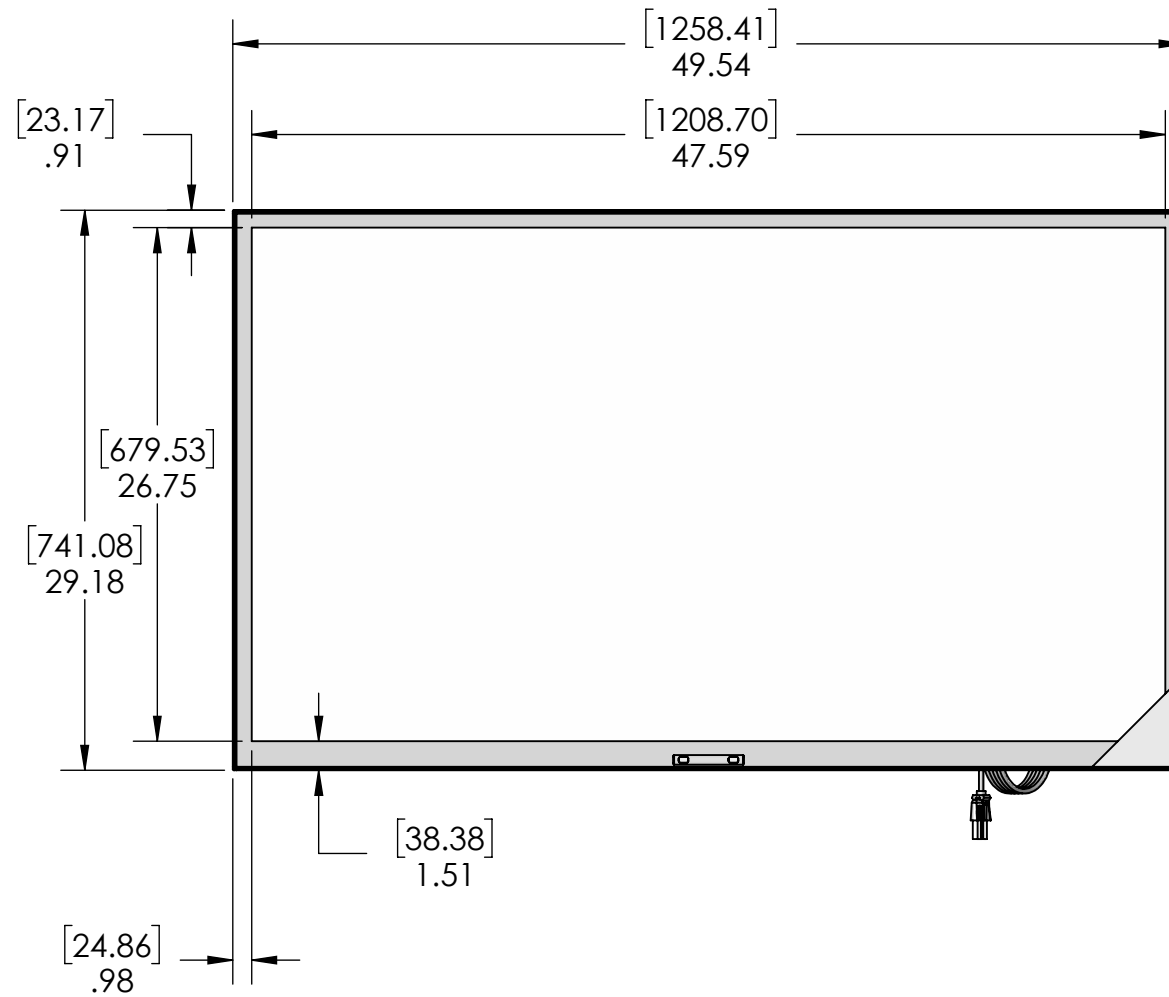



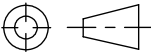
FOR MISSING DIMENSIONS AND FEATURE LOCATIONS REFER TO 3D CAD MODEL

NOTE: UNLESS OTHERWISE SPECIFIED

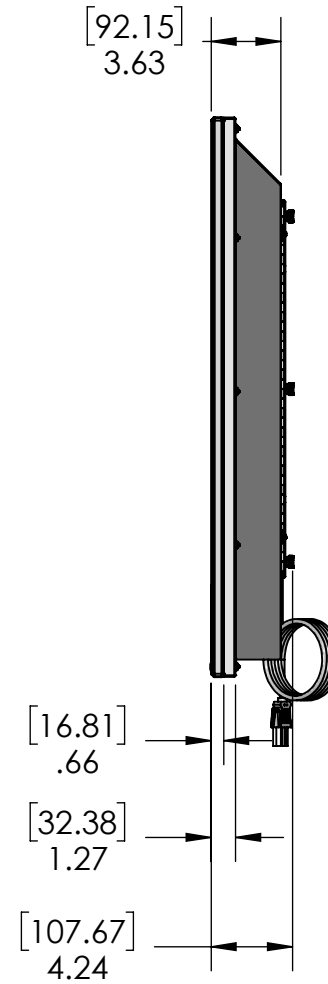
MATERIAL		The information herein is the property of SunBriteTV. No portion of this data shall be released, disclosed, used, or duplicated for any purposes without the written consent of SunBriteTV.		 2630 Townsgate Rd. Suite F. Westlake Village, CA 91361	
FINISH	NOTE 3	APPROVALS	DATE	TITLE	
FRACTIONS ±.030	DECIMALS ±.05 .XX ±.03 .XXX ±.010	DESIGN CM	9/16/2021	SB 55V3 Top Assembly Ortho	
UNLESS OTHERWISE SPECIFIED DIMENSIONS ARE IN INCHES		DRAWN CM		SIZE B	SCALE 1:10
THIRD ANGLE PROJECTION		CHECKED		PART # 21020916	REV 1.4
				SHEET 1 OF 5	




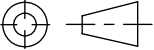
FOR MISSING DIMENSIONS AND FEATURE LOCATIONS REFER TO 3D CAD MODEL

MATERIAL		The information herein is the property of SunBriteTV. No portion of this data shall be released, disclosed, used, or duplicated for any purposes without the written consent of SunBriteTV.		 2630 Townsgate Rd. Suite F. Westlake Village, CA 91361	
FINISH	NOTE 3	APPROVALS		DATE	
FRACTIONS	DECIMALS	DESIGN		9/16/2021	
±.030	.X ± .05	CM		TITLE	
	.XX ± .03	DRAWN		SB 55V3 Top Assembly Ortho	
	.XXX ± .010	CM		SIZE	SCALE
UNLESS OTHERWISE SPECIFIED DIMENSIONS ARE IN INCHES		CHECKED		B	1:10
THIRD ANGLE PROJECTION				PART #	REV
				21020916	1.4
				SHEET 2 OF 5	

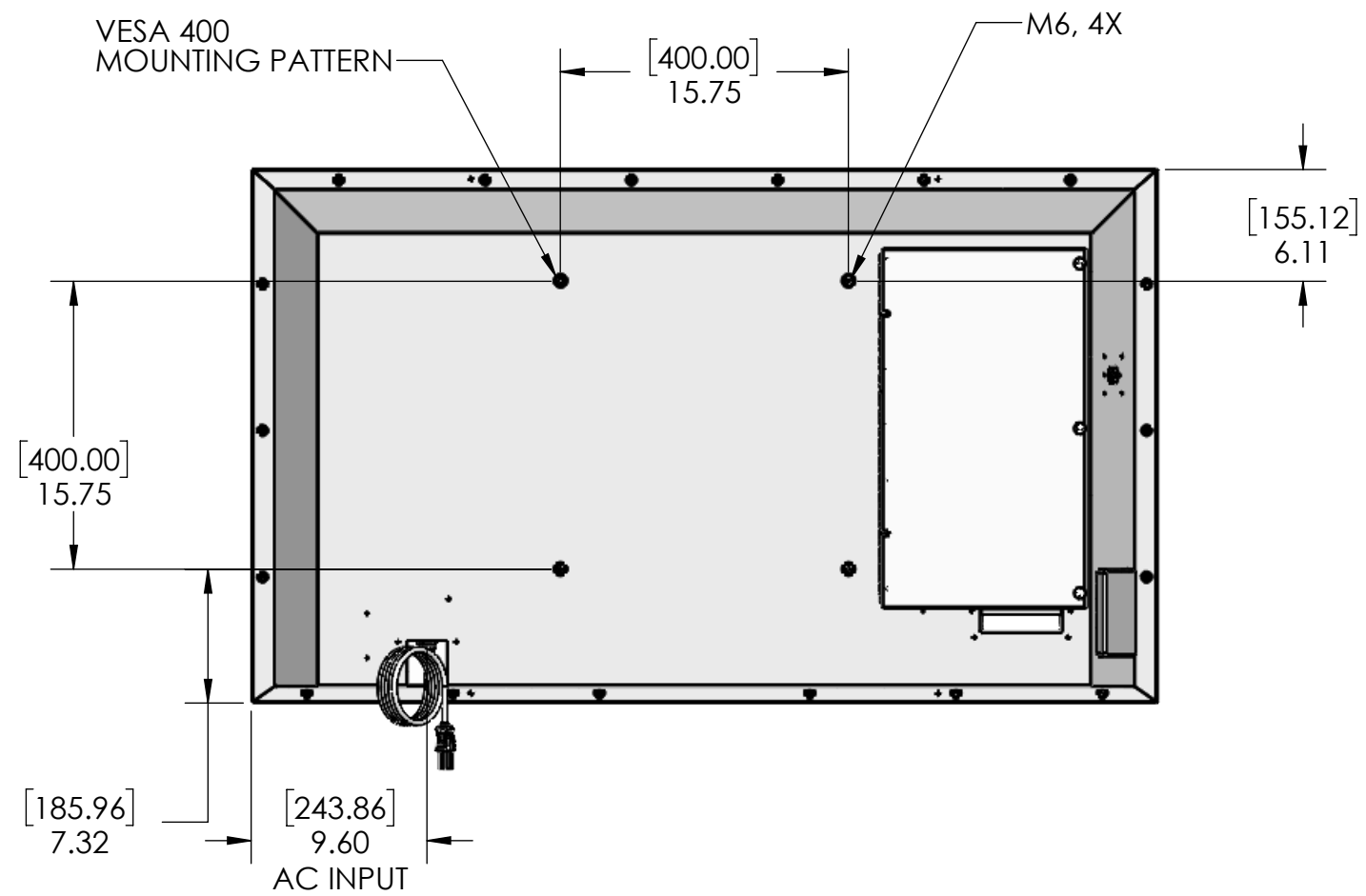
NOTE: UNLESS OTHERWISE SPECIFIED




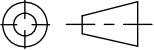
FOR MISSING DIMENSIONS AND FEATURE LOCATIONS REFER TO 3D CAD MODEL

MATERIAL		The information herein is the property of SunBriteTV. No portion of this data shall be released, disclosed, used, or duplicated for any purposes without the written consent of SunBriteTV.		 2630 Townsgate Rd. Suite F. Westlake Village, CA 91361	
FINISH	NOTE 3	APPROVALS		DATE	
FRACTIONS ±.030	DECIMALS .X ± .05 .XX ± .03 .XXX ± .010	DESIGN CM		9/16/2021	
UNLESS OTHERWISE SPECIFIED DIMENSIONS ARE IN INCHES		DRAWN CM		TITLE SB 55V3 Top Assembly Ortho	
THIRD ANGLE PROJECTION		CHECKED		SIZE B	SCALE 1:10
				PART # 21020916	REV 1.4
				SHEET 3 OF 5	

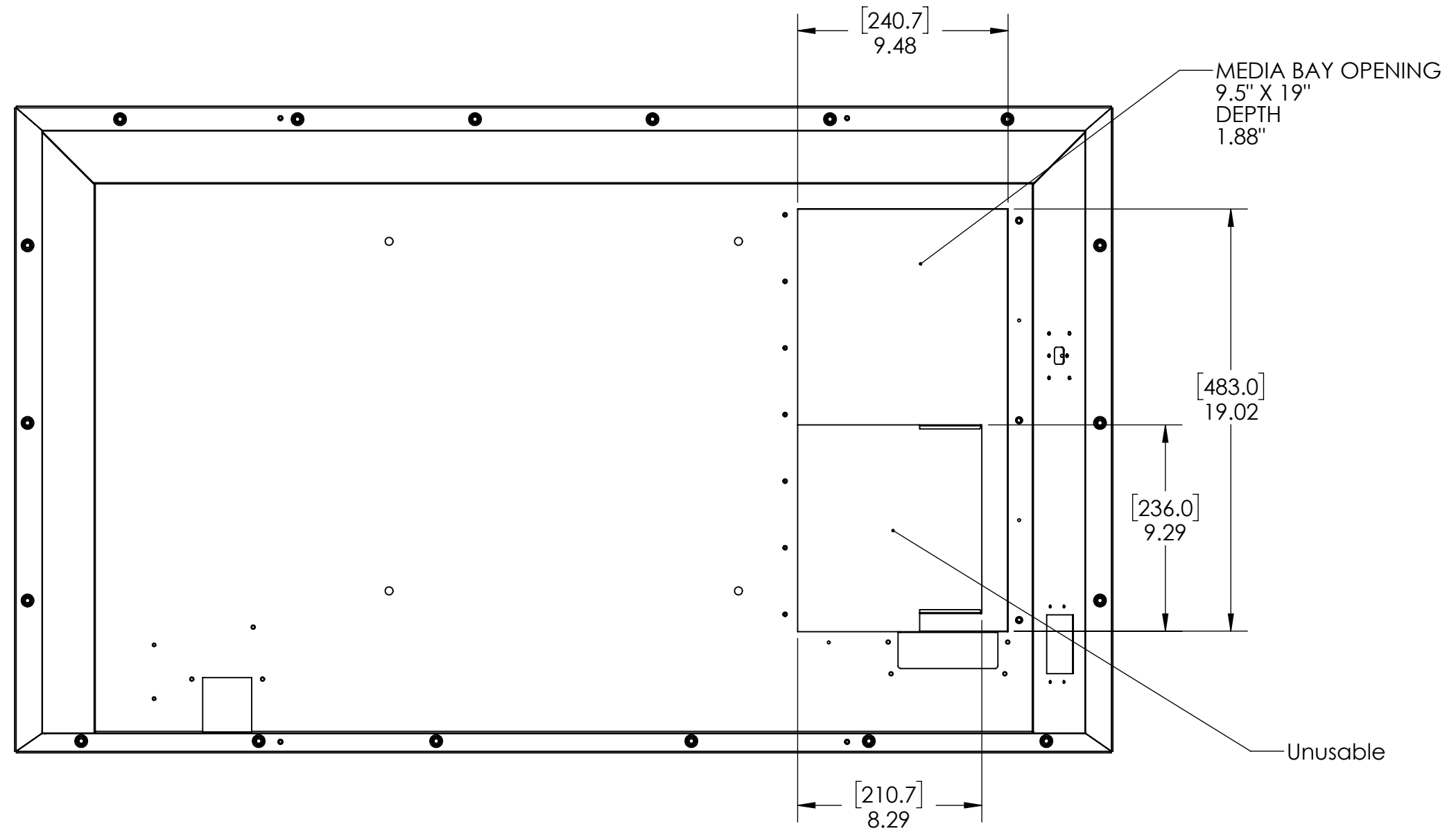
NOTE: UNLESS OTHERWISE SPECIFIED




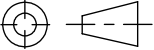
FOR MISSING DIMENSIONS AND FEATURE LOCATIONS REFER TO 3D CAD MODEL

MATERIAL		The information herein is the property of SunBriteTV. No portion of this data shall be released, disclosed, used, or duplicated for any purposes without the written consent of SunBriteTV.		 2630 Townsgate Rd. Suite F. Westlake Village, CA 91361	
FINISH	NOTE 3	APPROVALS	DATE	TITLE	
FRACTIONS ±.030	DECIMALS .X ± .05 .XX ± .03 .XXX ± .010	DESIGN CM	9/16/2021	SB 55V3 Top Assembly Ortho	
UNLESS OTHERWISE SPECIFIED DIMENSIONS ARE IN INCHES		DRAWN CM		SIZE B	SCALE 1:10
THIRD ANGLE PROJECTION 		CHECKED		PART # 21020916	REV 1.4
				SHEET 4 OF 5	

NOTE: UNLESS OTHERWISE SPECIFIED



FOR MISSING DIMENSIONS AND FEATURE LOCATIONS REFER TO 3D CAD MODEL

MATERIAL		The information herein is the property of SunBriteTV. No portion of this data shall be released, disclosed, used, or duplicated for any purposes without the written consent of SunBriteTV.		 2630 Townsgate Rd. Suite F. Westlake Village, CA 91361	
FINISH	NOTE 3	APPROVALS	DATE	TITLE	
FRACTIONS ±.030	DECIMALS .X ± .05 .XX ± .03 .XXX ± .010	DESIGN CM	9/16/2021	SB 55V3 Top Assembly Ortho	
UNLESS OTHERWISE SPECIFIED DIMENSIONS ARE IN INCHES		DRAWN CM		SIZE B	SCALE 1:10
THIRD ANGLE PROJECTION		CHECKED		PART # 21020916	REV 1.4
				SHEET 5 OF 5	

NOTE: UNLESS OTHERWISE SPECIFIED