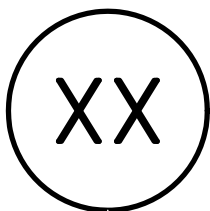
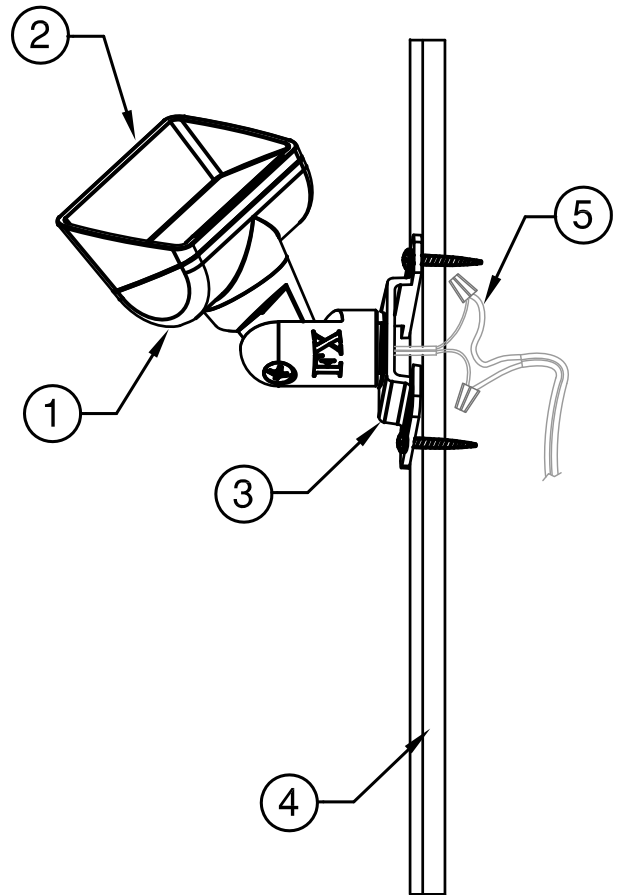


DETAIL LEGEND

- ① FX Luminaire PB fixture. See plan legend for wattage, beam spread and accessories.
- ② Aim fixture a minimum of 10° off horizontal to allow water and dirt to drain off lens cap.
- ③ FX Luminaire Wall Mount.
- ④ Wall or siding panel see plans.
- ⑤ UF/UL, copper, low voltage cable. Splice wires according to FX recommendations.

NOTES

- A. Installation to be completed in accordance with manufacturer's specifications.
- B. Accepts 10-15 volts - AC or DC
- C. See plan legend for LED board option, beam spreads, and accessories.
- D. Always refer to FX product installation notes prior to installation.



PB UP LIGHT WALL MOUNT

NOT TO SCALE