



Nest Cam Dummy Installation Instructions

(GLOBAL-ENGLISH)
June 2021





Nest Cam

Wall Mount

Nest Cam Tabletop
skip to page 6



Parts & Tools needed

Nest Cam Wall Mount



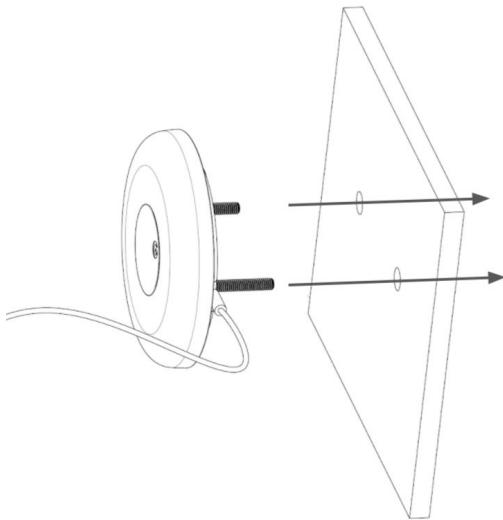
Nest Cam Wall Mount



2x Winged Nuts



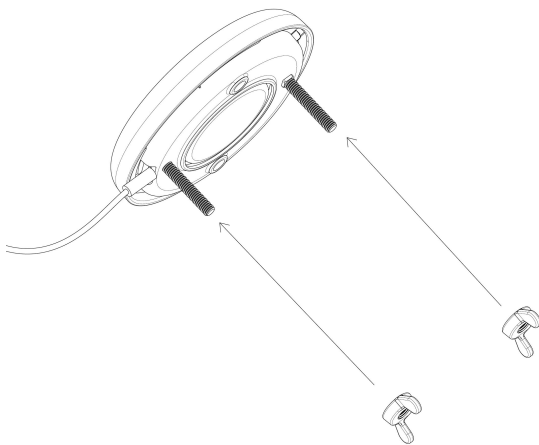
Installing Nest Cam Wall Mount



Step 1

With the G logo upright, push the wall mount through the corresponding holes in the fixture.

Step 1



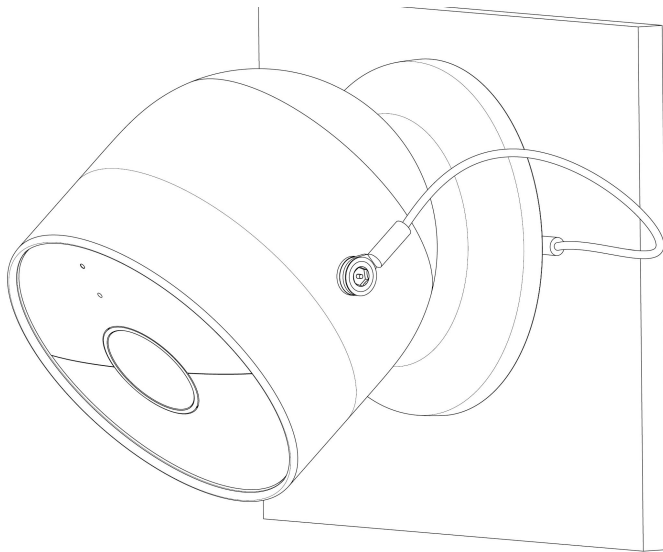
Step 2

On the other side of the fixture, thread the provided winged nuts onto the stems to secure Nest Cam in place.

Step 2



Installing Nest Cam Wall Mount



Step 3

Attach Nest Cam to the magnetic wall mount and angle the camera down as shown.

Step 3

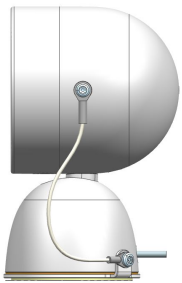


Nest Cam Tabletop



Parts & Tools needed

Nest Cam Tabletop



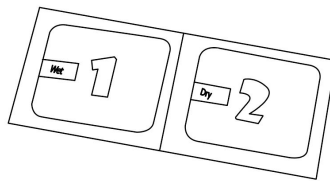
Nest Cam Tabletop



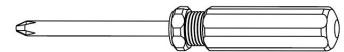
1x Threaded Stem
Optional



1x Knurled Nut
Optional



Alcohol Wipe
Not included

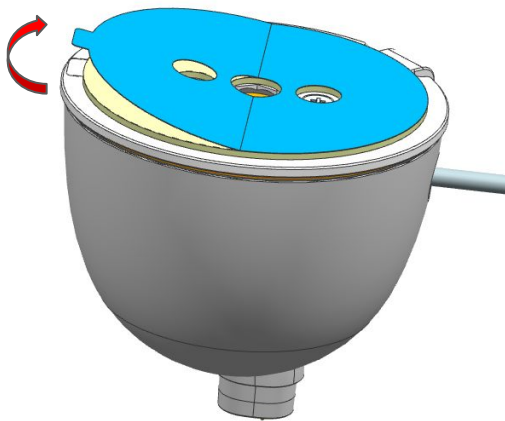


Phillips Screwdriver
Optional, not included



Installing Nest Cam Tabletop Adhesive

If you're installing Nest Cam Tabletop mechanically, skip to page 10.

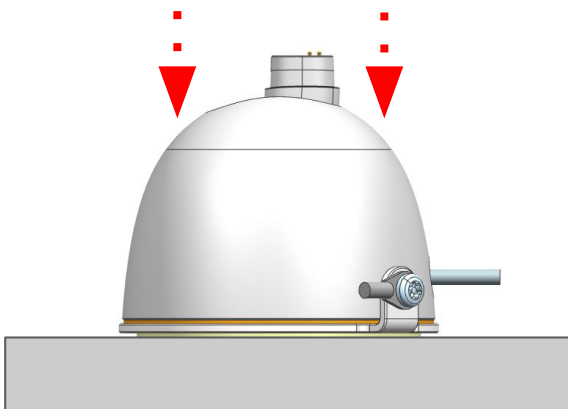


Step 1

Step 1

Use an alcohol wipe to clean the surface where Nest Cam will be placed.

Remove the adhesive liner on the bottom of the tabletop stand.



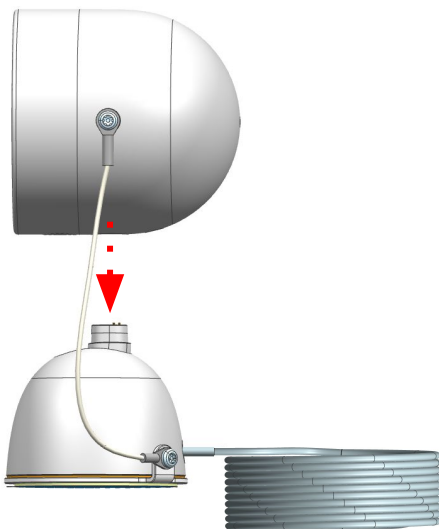
Step 2

Step 2

Hold the tabletop stand so that the security cable is on the right. Place the device in the desired location and apply pressure to the base. Hold for at least 15 seconds.



Installing Nest Cam Tabletop Adhesive



Step 3

Step 3

Attach Nest Cam to the base by aligning the pogo pins of the tabletop stand to the bottom of Nest Cam.

Angle Nest Cam so it's upright and facing straight ahead.

Step 4

Run the cable into the fixture.

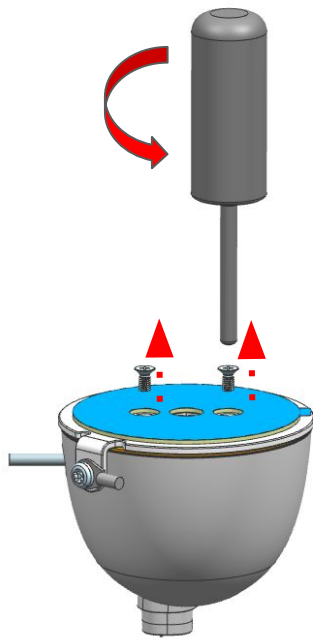
Since Nest Cam is a dummy it does not need to be plugged in to power.

Remove the protective liner from the front of Nest Cam.



Installing Nest Cam Tabletop Mechanical

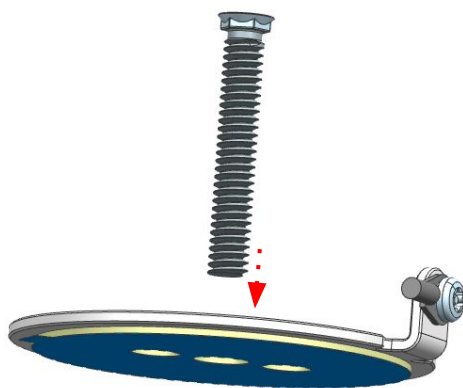
Do not remove the adhesive liner when installing Nest Cam mechanically.



Step 1

Step 1

Use a phillips screwdriver and remove the 2x small screws that are holding the security plate to the bottom of the tabletop stand.



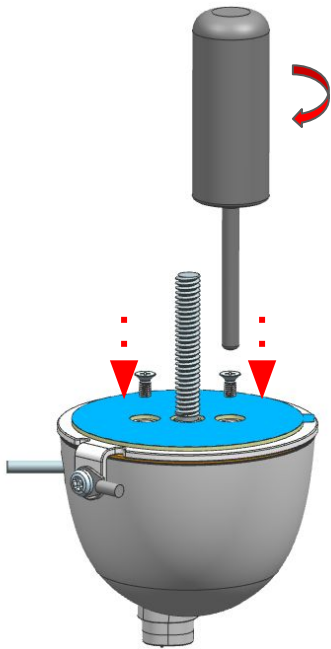
Step 2

Step 2

Insert the threaded rod through the top of the security plate, ensuring it sits flush.



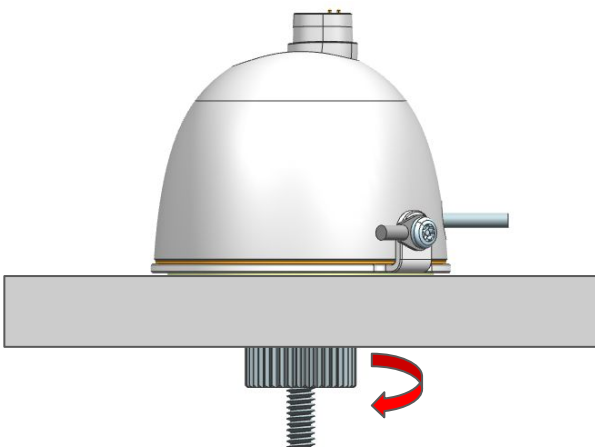
Installing Nest Cam Tabletop Mechanical



Step 3

Step 3

Re-attach the 2x small screws that were removed in step 1



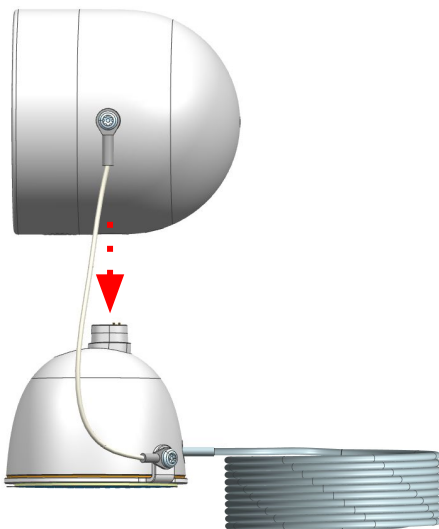
Step 4

Step 4

Insert the threaded rod through the fixture and secure underneath using the provided knurled nut.



Installing Nest Cam Tabletop Mechanical



Step 5

Step 5

Attach Nest Cam to the base by aligning the pogo pins of the tabletop stand to the bottom of Nest Cam.

Angle Nest Cam so it's upright and facing straight ahead.

Step 6

Run the cable into the fixture.

Since Nest Cam is a dummy it does not need to be plugged in to power.

Remove the protective liner from the front of Nest Cam.