

HiFlo Pro

PRODUCT SHEET

VS-HF-PRO



PRODUCT CLASSIFICATION:

Venting Product & Set Top Cooler

Definitions: Venting Product

Designed to vent and cool a system as a whole. Typical application is to vent cabinets, enclosures, closets, rooms.

Set Top Cooler

For placing on a component to directly displace heated air thus cooling and providing circulation around components.

DESCRIPTION:

A professional grade cooling and ventilation product primarily designed for venting applications but with the added feature of being able to use it as an aggressive set top cooler. For venting applications it can be used with surface and flush mounted grills to provide the desired aesthetic.

INSTALLATION OVERVIEW:

For venting applications it is installed by drilling a round hole (4") into the side of the cabinet/enclosure, inserting the round grill into the hole. If using a surface mount grill then mount it over the hole. The fan unit is then mounted inside the cabinet covering and utilizing the hole to exhaust hot air (preferred and default configuration). The flush mount grills are screwless but both grill types are available in various colors (listed below).

For set top cooling, simply install the supplied 'feet' and place the unit on top of a component pulling air away from the component (default configuration), do not blow air into a component.

PURCHASING INFORMATION:

The unit is offered as the Unit Only (VS-HF-PRO) and also in packages with the unit, power supply and plastic grill. For the surface mount grills, the colors include: Black, White, Tan & Khaki (VS-HF-PRO-BLK/WHT/TAN/KHK). The round recessed grill colors include: Black, White, Almond, Gray, Brown (VS-HF-PRO-BLKr/WHTr/ALMr/GRYr/BRNr). Grills can also be purchased separately.

Also available are High Velocity (HV) and Harsh Environment (HE) versions. The High Velocity is for applications where greater airflow is more important than being silent and would be appropriate for commercial and industrial applications. Harsh Environment units are intended primarily for outdoor or simply wet, dusty, dirty environments and feature an IP68 rating (highest possible protection).

CONTROL OPTIONS:

This unit can be run full time with no controller or it can be turned on and off with a switched outlet on the equipment (if available). Fan speed thus airflow can also be manually controlled via the variable voltage power supply with 7 to 9V used for silent operation and 12V used for more aggressive cooling. This product can also be used with Cool Components controllers. The controllers simply plug inline between the power supply and fan unit. The Basic (TC-BSC) controller provides On/Off control and for most applications for this unit, the 88F degree version would be appropriate (TC-BSC-88). The Advanced LT Controller (TC-ALTv2) provides On/Off and Variable Fan Speed control and has 3 modes/set points (80, 90, 100F degree on/off point) and also features an alarm at 115F. The Advanced System Controllers (TC-ASC & TC-ASC2) feature 'all the bells and whistles' (fully programmable, contact closures, trigger...).

The units can also be used with other 12V DC and PWM controllers.



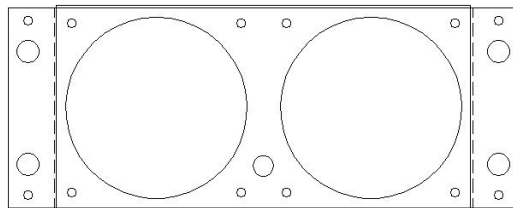
COOL COMPONENTS
INCORPORATED

3723 N Nebraska Avenue
Tampa, Florida 33603
813-322-3814
www.CoolComponents.com

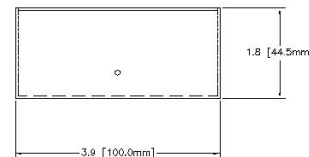
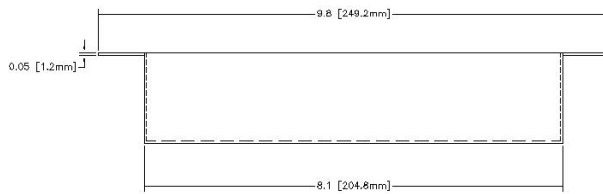
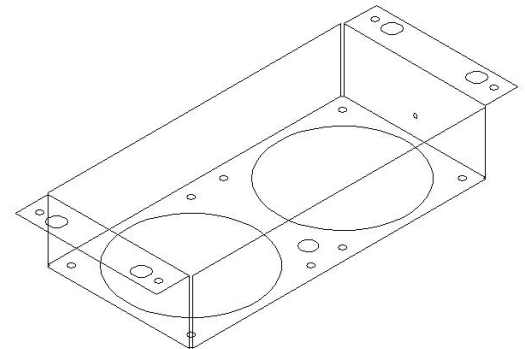
SPECIFICATIONS:	Dimensions (Fan Unit):	10" x 4" x 1 3/4" / 25 x 10 x 4.5cm (LxHxD)
	Dimensions (Grill):	Round 4 3/8" Face / 4" Hole for Mounting
	Cooling System:	Dual 92mm Magnetic Bearing 12V Variable Voltage Fans
	Life Expectancy:	Housing: Lifetime / Fans: 70,000 Hours
	Airflow:	Up 78 cfm / High Velocity Version 100cfm (See note)
	Noise:	~28db (See note)
	Voltage/Amperage:	5-12V DC / 175mA at 12V

Note: There are many challenges and misrepresentations when it comes to CFM and Noise specifications. One issue is limited standards for testing but perhaps the biggest issue is marketers more concerned with 'specs on paper' versus 'in the field'. CCI has been in biz more than 15 years and has the experience, high grade fans and supplies (only company using advanced technology bearings), proper approach (variable speed) and simply a reputation for quality products that operate as designed and specified.

DRAWING FOR HOUSING:



For general representation only



TROUBLESHOOTING:

The product is typically very reliable with very few issues. If the fans stop operating, first step in troubleshooting is if a temperature controller is being used, remove the controller and see if the fans run. Second is to check the power supply by reading the voltage with a voltmeter (or try with another fan unit if available). Ensure while testing that proper polarity is followed (Tip aligned with +). If still not functioning the fans may have failed and require replacement. If the fans makes an odd noise and have ensured nothing is interfering with the fan blades then the fan motor/bearing may have failed which is very rare. Also ensure the unit is not creating any sort of vibrations which can create odd noises.

If require additional assistance, please email support@coolcomponents.com

LONGEVITY & WARRANTY INFORMATION:

This unit is considered a 'lifetime' product. While the fans are rated to last 70,000 hours, the housings will last a lifetime and essentially indefinitely due to the heavy duty steel housing and finishing. Simply replace the fan assembly as necessary and the unit will once again be 'like new' with no need to shop for and re-order complete units...

This product is warranted for 3 years with proof of purchase from an authorized dealer, distributor, retailer. The warranty does not cover products that have been modified, damaged, or used in a way inconsistent with their intended purpose.

For warranty information or to file a claim, please email rainfo@coolcomponents.com