

# LU951ST DLP® Projector

## LU951ST Features

- Laser light source
- 5000 ANSI Lumens High Brightness
- Big zoom & 2D Lens Shift or Vertical or Horizontal Lens shift
- HDMI-out port
- HDBaseT
- Digital shrink and shift
- Custom pairing remote/projector settings
- Customized color with Vivid Mode

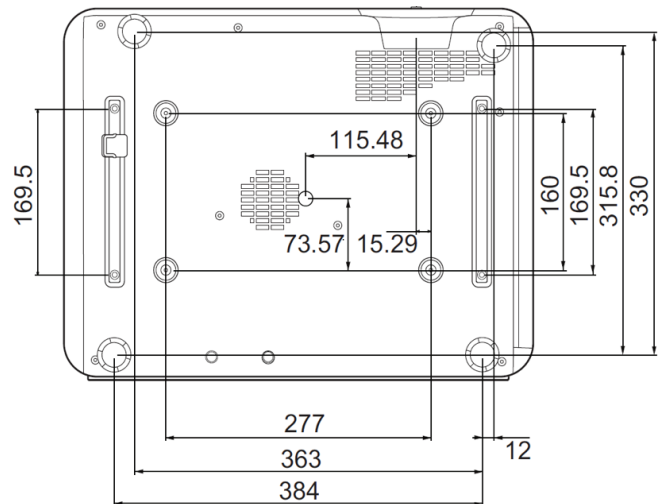
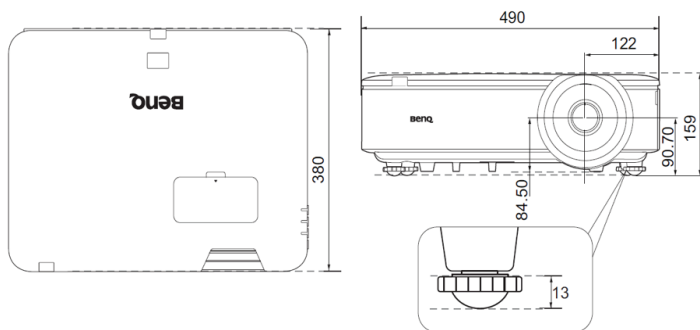
## Features

- |   |                                     |    |                                   |
|---|-------------------------------------|----|-----------------------------------|
| 1 | Wired Remote In                     | 10 | Composite Video (RCA)             |
| 2 | RS232 In (D-sub 9pin, male)         | 11 | RCA Audio in- L/R                 |
| 3 | USB TypeB (Service)                 | 12 | PC In                             |
| 4 | USB TypeA (5V/2A power)             | 13 | Monitor out (D-sub 15pin, Female) |
| 2 | LAN Port (RJ45 for Network control) | 14 | Audio in (mini jack)              |
| 6 | HDBaseT                             | 15 | Audio out (mini jack)             |
| 7 | HDMI-In                             | 16 | 12V Trigger                       |
| 8 | HDMI-Out                            | 17 | IR Receiver (Front)               |
| 9 | S-Video in                          | 18 | IR Receiver (Rear)                |



## Dimensions

490 mm (W) x 159 mm (H) x 380 mm (D)



SPECIFICATIONS		LU951ST
<b>DISPLAY</b>	Projection System	DLP® Single 0.47" WUXGA
	DMD type	DC3 DMD Chip
	Native Resolution	1920x1200 pixels
	Brightness	5000 ANSI Lumens
	Contrast Ratio*	100,000:1
	Display Color	30 Bits (1.07 billion colors)
	Aspect Ratio	Native 16:10 (5 aspect ratio selectable)
	Light Source	Laser
	Light Source life*	20,000 (Normal/Eco)
<b>OPTICAL</b>	Throw Ratio	0.81 ~ 0.88
	Zoom Ratio	1.1x
	Lens Control	Manual Zoom and Focus
	Lens shift	Manual lens shift, V: ±60 %; H: ±23 %
	Keystone Correction	2D keystone, V: ±30 degree; H: ±30 degree
	Projection Offset	NA
	Projection Size	30" ~ 300"
<b>AUDIO</b>	Built-in Speaker	10W
<b>SPECIAL FEATURE</b>	Security(anti-theft)	Security Bar
	Feature	Digital Shrink and Shift, Image Memory, Projector/ Remote Control ID Setting, Auto High Altitude Mode, HDBaseT, LAN Control, 360° Projection
<b>COMPATIBILITY</b>	Resolution Support	VGA(640 x 480) to WUXGA_RB(1920 x 1200) *RB-Reduced Blanking
	Horizontal Frequency	15~102KHz
	Vertical Scan Rate	24 ~ 120 Hz
	HDTV Compatibility	480i, 480p, 576i, 567p, 720p, 1080i, 1080p
	Video Compatibility	NTSC, PAL, SECAM
<b>POWER</b>	Power Consumption(Max/Normal/Eco)	Max 530W/ Normal 475W/ Eco 365W
	Standby Power Consumption	Normal < 0.5W, Network <2W
	Power Supply	100 ~ 240V AC
<b>DIMENSION AND WEIGHT</b>	Product Dimensions (WxHxD)	490.0x156.0 x 380.0mm
	Product Weight	9.4 kg
<b>OPERATION CONDITION</b>	Noise Level(Normal/Eco)	37 /35 dBA
	Operating Temperature	0 ~ 40°C
<b>OSD</b>	On-Screen Display Languages	Arabic/ Bulgarian/ Croatian/ Czech/ Danish/ Dutch/ English/ Finnish/ French/ German/ Greek/ Hindi/ Hungarian/ Italian/ Indonesian/ Japanese/ Korean/ Norwegian /Persian/ Polish/ Portuguese/ Romanian/ Russian/ Simplified Chinese/ Spanish/ Swedish/ Turkish/ Thai/ Traditional Chinese/ Vietnam (30 languages)
<b>ACCESSORIES</b>	<b>Standard</b>	<b>Optional</b>
	Power Cord Remote control (RCA011) Lens cover AAA Batteryx2 Installation Guide/Regulatory Statement(Combined) Warranty card(by sku)	Ceiling mount (CMG3) 3D glasses

\*LightSource life results will vary depending on environmental conditions and usage. Actual product's features and specifications are subject to change without notice.

\*The Contrast is measure by Full On Full Off standard.



**BenQ America Corp.**  
**www.BenQ.us**

BenQ is a registered trademark of BenQ Corp. All rights reserved. Product names, logos, brands, and other trademarks featured or referred to in this material are the property of their respective trademark holders. Specifications subject to change without notice.

