

## INSTALLATION MANUAL

92-145" Fixed Projection Screens

### **IMPORTANT: BEFORE YOU BEGIN**

- To avoid staining or scratching the screen, wash your hands and clean the work area before starting.
- Do not use knives or sharp objects to open the packing boxes.
- To avoid a serious fire hazard, DO NOT install the screen over an electrical outlet or switch.

# Dragonfly Fixed Screen Assembly Instructions

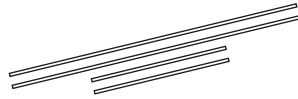
## Step 1. Unpack the Screen

- A. Lay out all the parts on a clean, flat surface.
- B. To avoid stains or damage, do not unpack the screen material at this time.

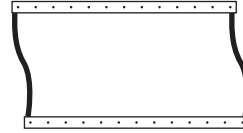
### Package Contents



Screen Frame  
(2 short, 2 long)



Tensioning Rod  
(2 short, 2 long)



Tethered Mounting  
Bracket (1)



Screen Material  
(1)



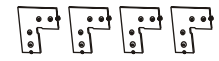
5x40mm Phillips  
Head Screws (8)



Concrete  
Anchors (8)



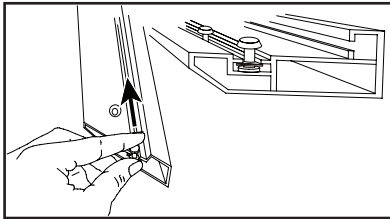
Snap Lugs  
(see below, +2 extra)



L Bracket  
Assembly (4)

## Step 2. Install the Snap Lugs in the Frame

The snap lugs hold the screen material in place on the frame. Slide one lug into place at each arrow decal on the frame. Two spare lugs are included; do not install them unless needed.

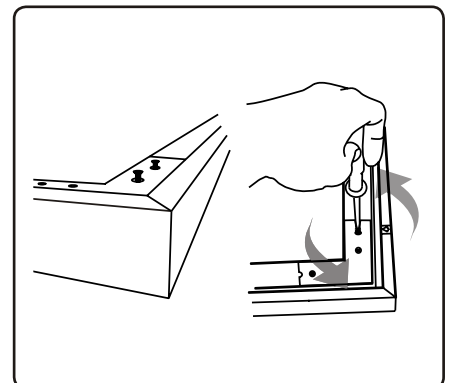
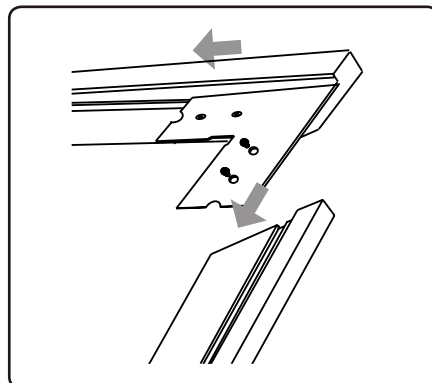
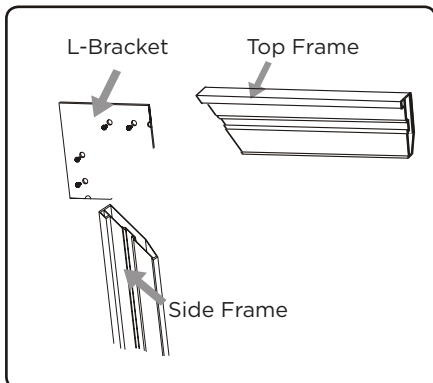


Screen Size	Lugs Used	Screen Size	Lugs Used
84"	22	110"	28
92"	24	120"	30
100"	28	133"	34
106"	28	145"	38

## Step 3. Assemble the Frame

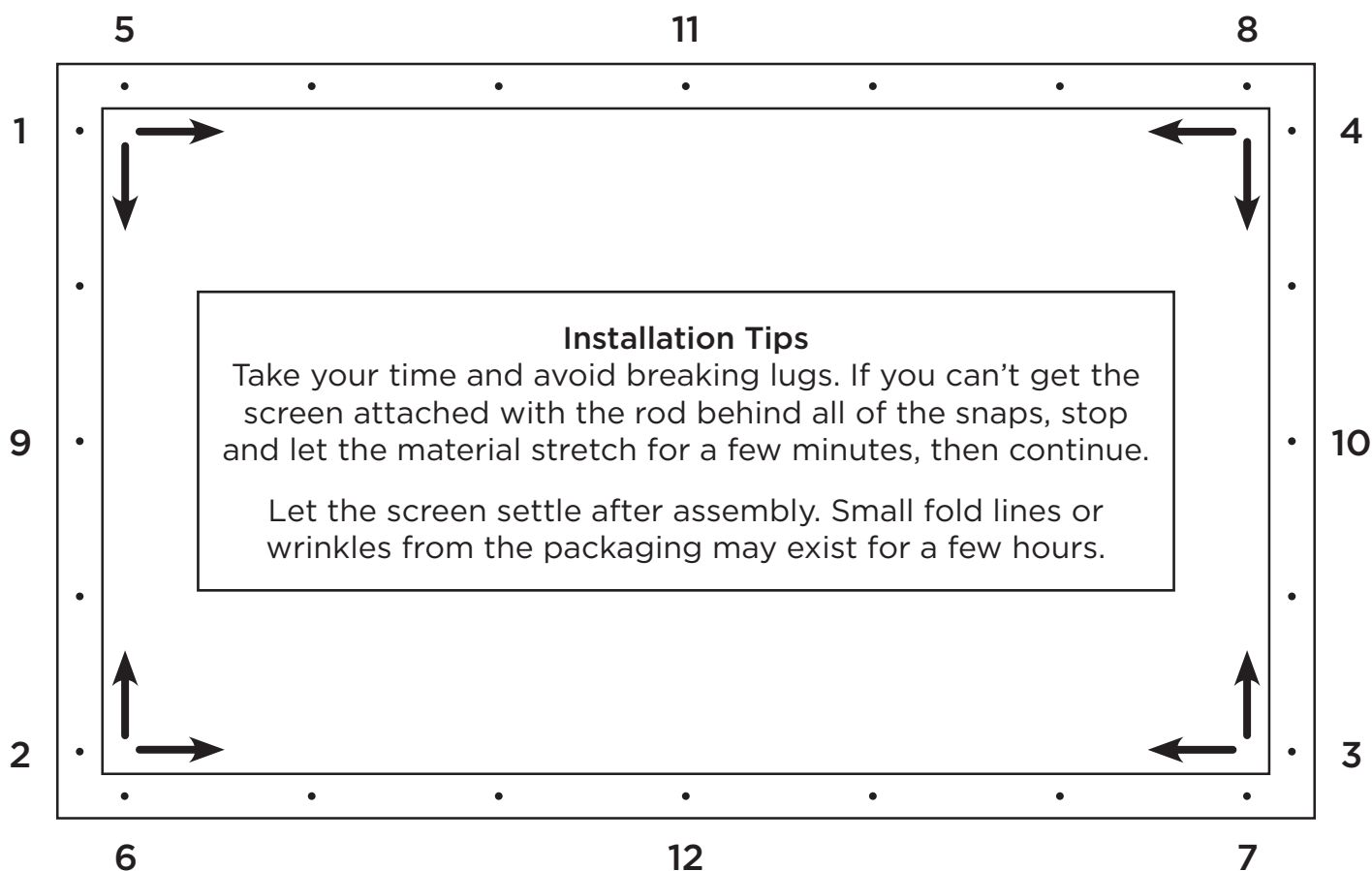
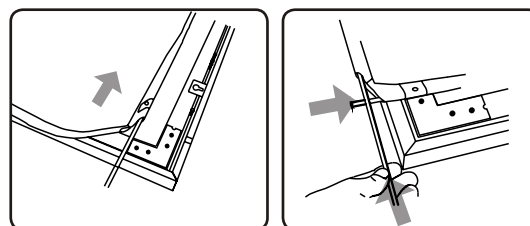
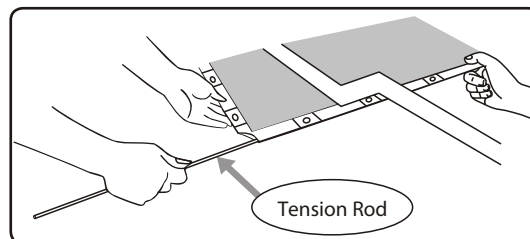
A carpenter's square is very helpful for this step.

- A. Place all of the frame tubes face down on a flat, clean work surface and line up the ends to form the shape of the finished screen.
- B. Loosen the screws on the L-bracket assemblies, then carefully slip the brackets into the aluminum frame channel.
- C. Work around the frame several times, using the square to align the frame corners and tightening the screws a little each time.



## Step 4. Attach the Screen Material

- A. Wash your hands and clean the work area to avoid staining the screen material.
- B. Unpack the screen material and tension rods. Unroll the screen material and lay it flat, with the seam side up, across the back of the screen frame.
- C. Push the shorter tension rods through the edges of the screen material, making sure not to damage the material. Do not insert the longer rods yet.
- D. Attach snaps 1-4 in order. The rods must be positioned behind the snaps to provide the correct tension.
- E. Insert the longer tension rods.
- F. Attach snaps 5-8 in order.
- G. Working from the outside towards the center:
  - i. Attach the remaining snaps on the short sides, 9 and 10 last.
  - ii. Attach the remaining snaps on the long sides, 11 and 12 last.



## Optional for UAW Screens: Anti-Reflection Material

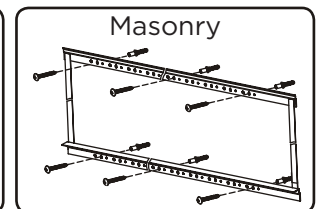
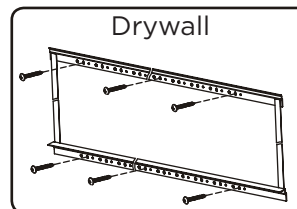
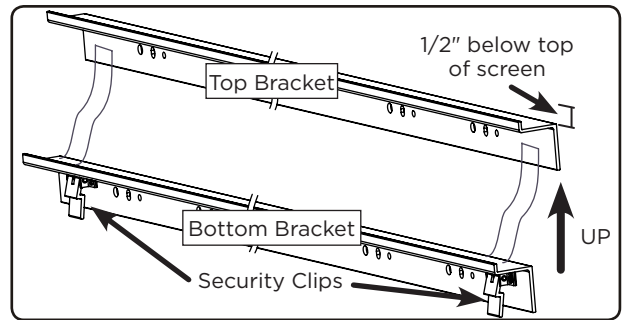
All Ultra Acoustiweave models include a precut sheet of black backing material to reduce reflections from surfaces behind the screen. The backing is also acoustically transparent, so sound quality is not affected by it.

To use the backing, either attach it to the rear of the assembled film screen before hanging, or hang it from the wall behind the screen after fastening the mounting brackets to the wall.

## Step 5. Hang the Mounting Bracket

A level, measuring tape, and drill are very helpful for this step.

- Position the screen and temporarily mark the edge of the top and sides on the wall. Mark the location for the top of the mounting bracket 1/2" down from the top of the screen, centered between the sides.
- Position and level the top bracket, then mark the wall for three screw locations spread as far apart as possible. For drywall installation, use a stud finder to ensure that the screws hit the wood studs.
- Prepare the wall for the screws/anchors:
  - Drywall studs: 5/32" drill for pilot holes
  - Masonry: 1/4" masonry drill bit for anchors
- Install the anchors (if applicable), then hang the top bracket using the included 5X40mm screws. Make sure the tethers remain untwisted.
- Let the bottom bracket hang freely from the tethers. Pull down enough to eliminate any slack and mark the screw locations, then fasten the bottom bracket in the same fashion as the top.

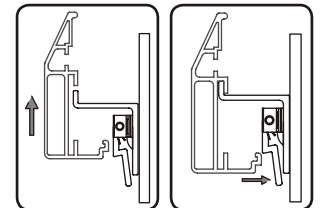


## Step 6. Hang the Screen on the Bracket

Hook the screen frame onto the top bracket, then push the bottom of the screen into the security clips until they snap into place.

If you have trouble, measure from the top to the bottom of the brackets; the dimension should match column F in the dimensions below.

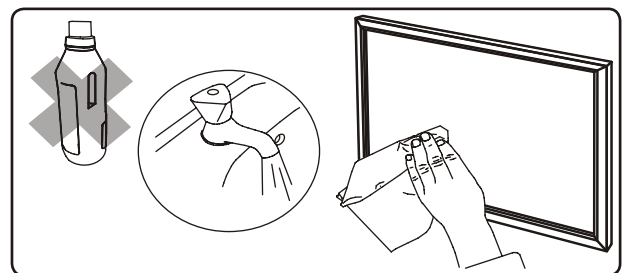
To release the screen, push in the clips and carefully lift the bottom of screen up and away from the wall.



## Care and Cleaning

Clean the screen with a soft cloth using mild soap and water only. DO NOT use harsh detergents, chemicals, distilled spirits or petroleum-based chemicals to clean the screen. Doing so may result in severe damage to the screen or the frame coating.

Use a household vacuum cleaner with a brush or furniture cleaning attachment to clean the felt frame material. Avoid using excessive amounts of water on the felt.



## Dimensions

Size (A)	B	C	D	E	F*
92"	45.08"	80.2"	51.42"	86.54"	51.3"
100"	49.02"	87.17"	55.35"	93.5"	55.24"
106"	51.93"	92.36"	58.27"	98.7"	58.15"
110"	53.9"	95.87"	60.24"	102.2"	60.12"
120"	58.82"	104.57"	65.16"	110.9"	65"
133"	65.2"	116"	71.54"	122.24"	71.38"
145"	71.1"	126.37"	77.3"	132.57"	77.14"

\*-Top of upper to bottom of lower mounting bracket.

