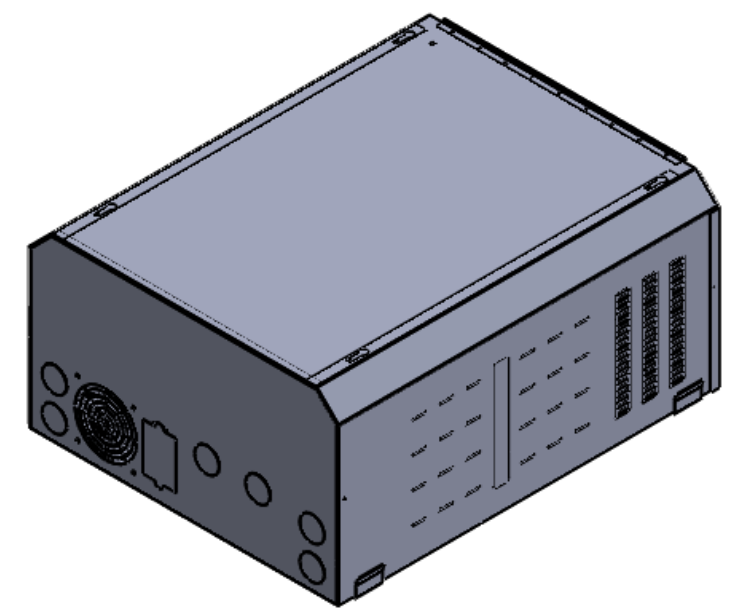
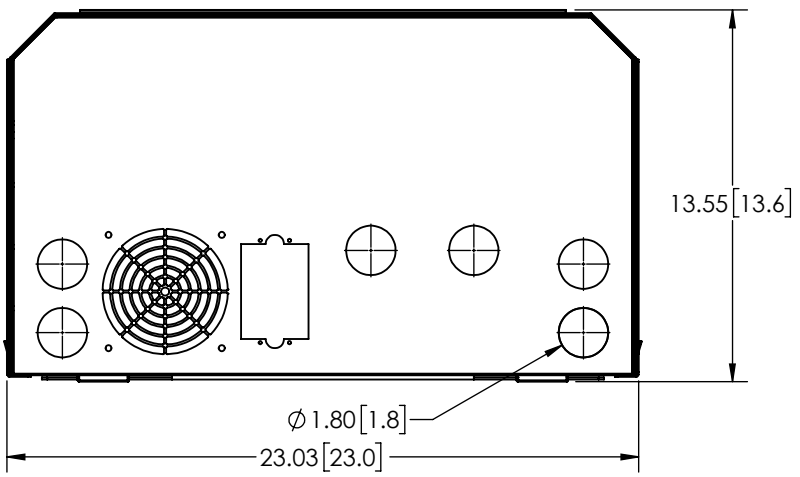


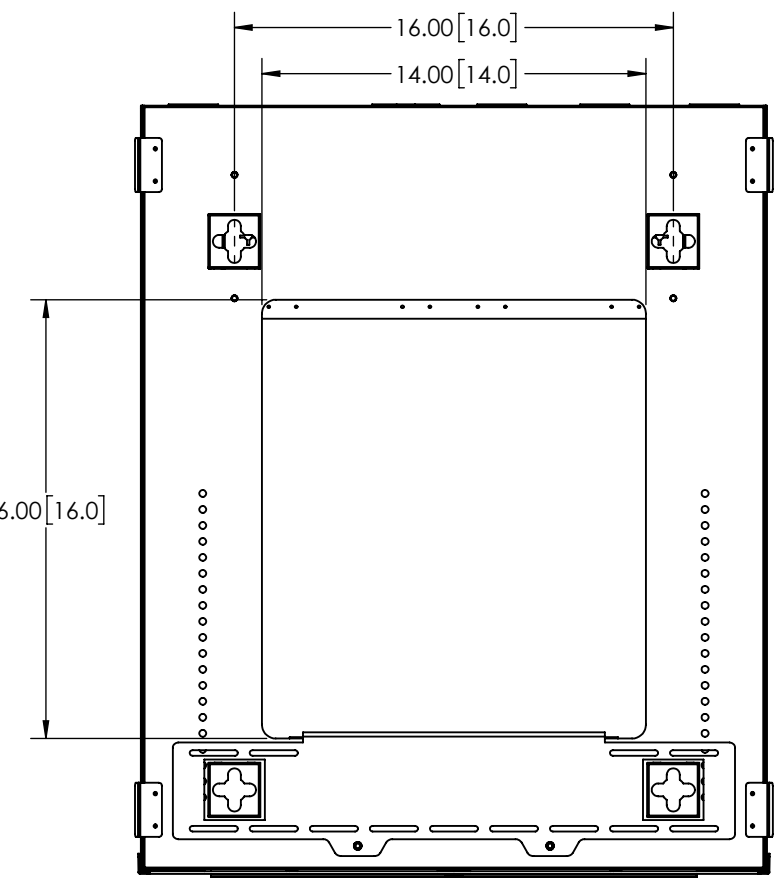
8 7 6 5 4 3 2 1

D



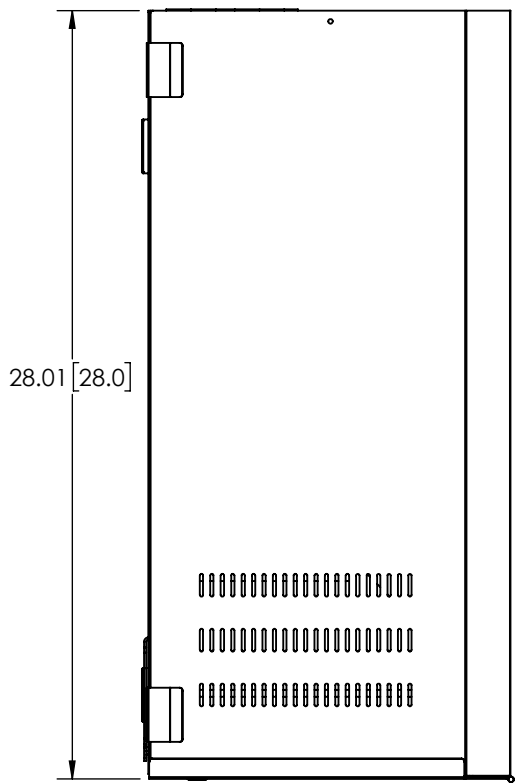
D

C



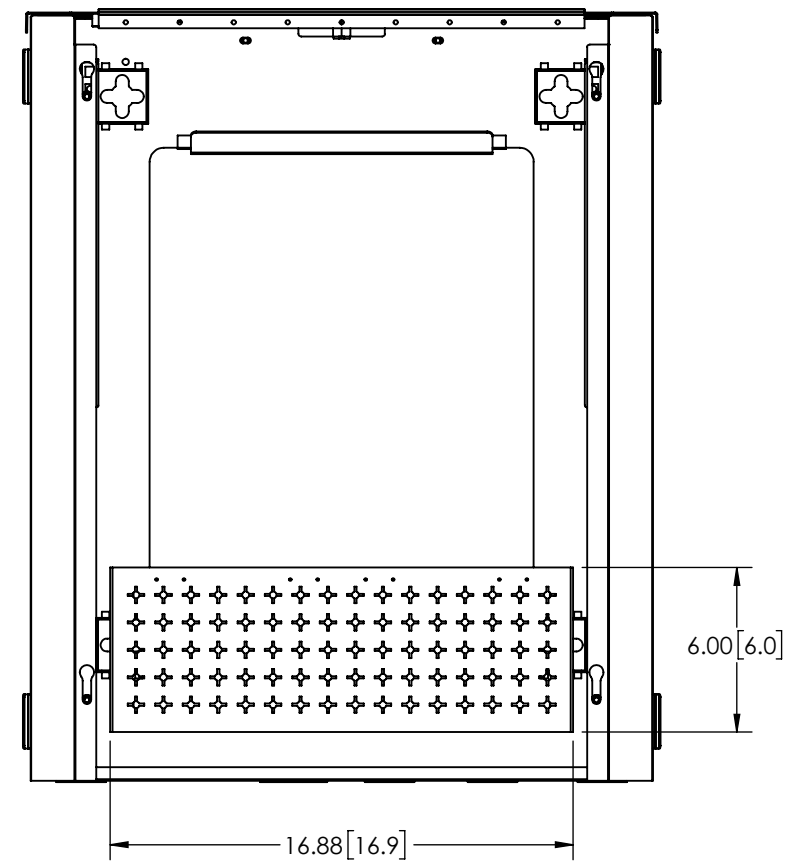
C

B



B

A



A

8 7 6 5 4 3 2 1

PROPRIETARY AND CONFIDENTIAL  
 THE INFORMATION CONTAINED IN THIS DRAWING IS THE SOLE PROPERTY OF STRONG MOUNTS AND LIFTS. ANY REPRODUCTION IN PART OR AS A WHOLE WITHOUT THE WRITTEN PERMISSION OF SNAP AV IS PROHIBITED.

CUSTOMER PRINT

SIZE	DRAWING NUMBER	DWG REV
B	SR-VERTICAL-7U	MP
DO NOT SCALE DRAWING		SHEET 1 OF 1